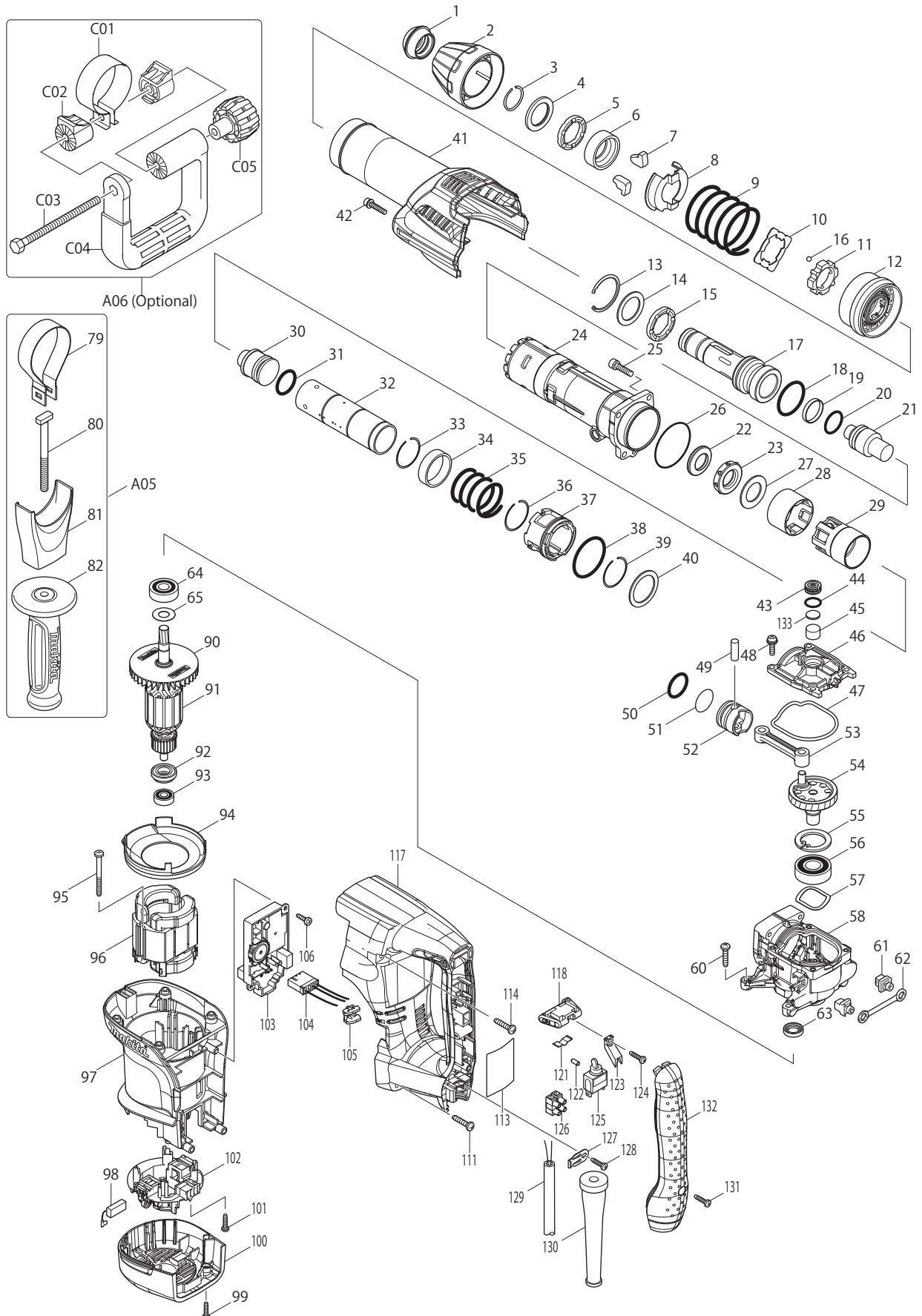




12 - 2015

HM0870C

12.4 lb. Demolition Hammer (SDS Max)



Item No.	Type	Sub	Part No.	Description	Qty	Unit
001			286287-0	TOOL HOLDER CAP	1	PC.
002			451432-8	CHUCK COVER	1	PC.
003			231984-3	RING SPRING 25	1	PC.
004			267272-2	FLAT WASHER 28	1	PC.
005			424261-2	RUBBER RING 28	1	PC.
006			331659-5	CHUCK RING	1	PC.
007			310108-5	TOOL RETAINER	2	PC.
008			346677-0	SPRING GUIDE	1	PC.
009			233387-7	COMPRESSION SPRING 52	1	PC.
010			346141-1	PLATE	1	PC.
011			310145-9	LOCK RING	1	PC.
012			451433-6	CHANGE RING	1	PC.
013			257960-9	RETAINING RING(INT) ROUND R-42	1	PC.
014			267273-0	FLAT WASHER 29	1	PC.
015			424261-2	RUBBER RING 28	1	PC.
016			216002-8	STEEL BALL 4.8	4	PC.
017			324387-9	TOOL HOLDER	1	PC.
018			213527-3	O RING 38	1	PC.
019			213431-6	FLUORIDE RING 28	1	PC.
020			213394-6	O RING 23	1	PC.
021			324389-5	IMPACT BOLT	1	PC.
022			325732-1	RING 20	1	PC.
023			424245-0	RUBBER RING 20	1	PC.
024			318512-2	BARREL	1	PC.
025			922341-3	HEX. SOCKET HEAD BOLT M6X25	4	PC.
026			213656-2	O RING 53	1	PC.
027			267407-5	FLAT WASHER 23	1	PC.
028			451639-6	GUIDE RING	1	PC.
029			450098-1	SLIDE SLEEVE	1	PC.
030			324388-7	STRIKER	1	PC.
031			213958-6	O RING 24	1	PC.
032			331658-7	CYLINDER 32	1	PC.
033			233927-1	RING SPRING 34	1	PC.
034			331660-0	RING 36	1	PC.
035			233386-9	COMPRESSION SPRING 37	1	PC.
036			233927-1	RING SPRING 34	1	PC.
037			317719-7	CYLINDER GUIDE	1	PC.
038			213611-4	O RING 46	1	PC.
039			233927-1	RING SPRING 34	1	PC.
040			267079-6	FLAT WASHER 34	1	PC.
041			451444-1	HOUSING COVER	1	PC.
042			922243-3	HEX. SOCKET HEAD BOLT M5X25	1	PC.
043			419988-7	FILTER CAP	1	PC.
044	2		213A05-9	O RING 16	1	PC.
045			443129-3	FILTER	1	PC.
046			451434-4	CRANK CAP	1	PC.
047			424244-2	SEAL RING	1	PC.
048			911233-1	PAN HEAD SCREW M5X20	4	PC.
049			268104-6	PIN 8	1	PC.
050			213958-6	O RING 24	1	PC.
051			213432-4	O RING 26	1	PC.
052			418349-8	PISTON	1	PC.
053			418350-3	CONNECTING ROD	1	PC.
054			325735-5	CRANK SHAFT 17	1	PC.
055			962157-4	RETAINING RING R-40	1	PC.
056			211490-4	BALL BEARING 6203LLU	1	PC.

Item No.	Type	Sub	Part No.	Description	Qty	Unit
057			267825-7	WAVE WASHER 30	1	PC.
058			140206-9	CRANK HOUSING COMPLETE	1	PC.
060			266041-8	TAPPING SCREW 5X25	4	PC.
061			419008-7	FIX GUIDE	2	PC.
062			423345-3	CUSHION PLATE	1	PC.
063			213678-2	OIL SEAL 12	1	PC.
064			211106-1	BALL BEARING 6201LLB	1	PC.
065			253759-0	FLAT WASHER 12	1	PC.
079			346140-3	GRIP SPRING 70	1	PC.
080			266522-2	SQUARE BOLT M8X95	1	PC.
081			418363-4	SIDE GRIP BASE 60	1	PC.
082			158131-0	GRIP 36 COMPLETE	1	PC.
090			240119-5	FAN 76	1	PC.
091			513791-9	ARMATURE ASSEMBLY 115V	1	PC.
		INC.		Item No. 90,92,93		
092			681650-6	INSULATION WASHER	1	PC.
093			210005-4	BALL BEARING 608DDW	1	PC.
094			451438-6	BAFFLE PLATE	1	PC.
095			266095-5	TAPPING SCREW 5X55	2	PC.
096			625756-0	FIELD 115V	1	PC.
097			451423-9	MOTOR HOUSING	1	PC.
098			197244-2	CARBON BRUSH CB-351 2PC/SET W/ORIGIN	1	SET
099			265995-6	TAPPING SCREW 4X18	2	PC.
100			451442-5	REAR COVER	1	PC.
101			265995-6	TAPPING SCREW 4X18	4	PC.
102			638674-3	BRUSH HOLDER UNIT	1	PC.
103			631929-5	CONTROLLER	1	PC.
104			638675-1	LEAD UNIT	1	PC.
105			451428-9	LENS	1	PC.
106			266901-4	TAPPING SCREW 4X14	2	PC.
111			266041-8	TAPPING SCREW 5X25	2	PC.
113			814H49-0	NAME PLATE F/HM0870C	1	PC.
114			266041-8	TAPPING SCREW 5X25	2	PC.
117			140207-7	HANDLE COMPLETE	1	PC.
118			451440-9	SLIDE LEVER	1	PC.
121			232209-8	LEAF SPRING	1	PC.
122			263027-3	RUBBER PIN 4	1	PC.
123			451427-1	SWITCH LEVER	1	PC.
124			265995-6	TAPPING SCREW 4X18	1	PC.
125			651418-4	SWITCH SINGLE ST115A-40	1	PC.
126			654531-7	TERMINAL BLOCK 2P	1	PC.
127			687169-3	STRAIN RELIEF	1	PC.
128			265995-6	TAPPING SCREW 4X18	1	PC.
129			664276-9	CORD W/PLUG 2P-16-5.0M,SJ	1	PC.
130			682560-0	CORD GUARD 10	1	PC.
131			265995-6	TAPPING SCREW 4X18	1	PC.
132			451445-9	HANDLE COVER	1	PC.
133			423411-6	RUBBER PLATE	1	PC.
E01			801G22-3	CLEAR LABEL	1	PC.
<u>ACCESSORIES</u>				- Visit www.makita.ca for more accessories information -		
A01			194683-7	GREASE VESSEL SET	1	PC.
A02			443122-7	CLOTH	1	PC.
A03	2		824904-0	PLASTIC CARRYING CASE	1	PC.
		INC.	162271-8	LATCH	2	PC.
		INC.	450990-1	HANDLE	1	PC.
		INC.	325809-2	SHAFT	1	PC.
A05			135332-7	GRIP 36 ASSEMBLY	1	PC.

Item No.	Type	Sub	Part No.	Description	Qty	Unit
		INC.		Item No. 79-82		
A06			134909-5	SIDE HANDLE ASS'Y (D-SHAPE)	1	PC.
		INC.	152620-7	SIDE HANDLE BASE 60 COMPLETE	1	PC.
		INC.	417002-3	SIDE HANDLE CAM	2	PC.
		INC.	265439-6	HEX. BOLT M8X150	1	PC.
		INC.	417003-1	SIDE HANDLE	1	PC.
		INC.	252640-2	WING NUT M8	1	PC.
A07			195113-1	HAMMER SERVICE KIT	1	PC.
		INC.	197244-2	CARBON BRUSH CB-351 2PC/SET W/ORIGIN	1	PC.
		INC.	213394-6	O RING 23	1	PC.
		INC.	213431-6	FLUORIDE RING 28	1	PC.
		INC.	213432-4	O RING 26	1	PC.
		INC.	213958-6	O RING 24	2	PC.
		INC.	231984-3	RING SPRING 25	1	PC.
		INC.	A-90582	HAMMER GREASE 30G, 1OZ	1	PC.
		INC.	286287-0	TOOL HOLDER CAP	1	PC.
		INC.	310108-5	TOOL RETAINER	2	PC.
		INC.	142350-8	HOSE COMPLETE 28 - 1.5	1	PC.
		INC.	415021-3	HOSE JOINT	1	PC.
		INC.	454749-8	HOSE HOLDER A	1	PC.
		INC.	454750-3	HOSE HOLDER B	1	PC.
		INC.	454809-6	HOSE HOLDER C	1	PC.
A08	1		196571-4	DUST EXTRACTOR ATTACHMENT SET	1	PC.
	2		199019-5	DUST EXTRACTOR ATTACHMENT SET	1	PC.